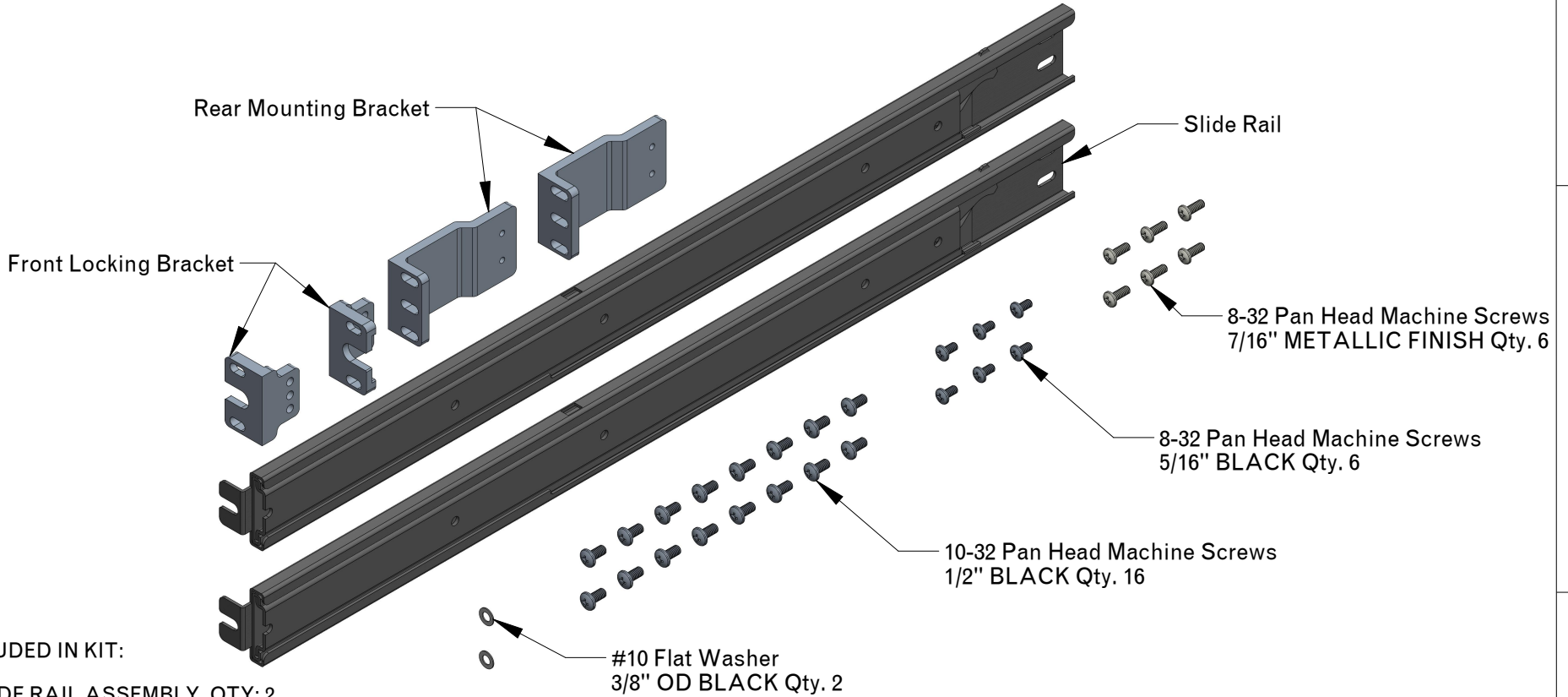


Kit Contents

REVISIONS			
REV	DESCRIPTION	DATE	APPROVED
A	PRODUCTION RELEASE PER ECO 14-18778	10/14/14	RGH
B	ADDED HOLES TO SLIDE PER ECO 15-20235	09/16/15	RGH
C	UPDATED MOUNTING HARDWARE / FINISH PER ECO 16-21235	06/16/16	LDP
D	MOUNTING HARDWARE LENGTH PER ECO 17-22207	03/10/17	K.DUBROWN
E	ADD MPS MOUNTING & TORQUE PER ECO 17-22601	06/30/17	K.DUBROWN
F	UPDATE SLIDE RAIL DETAILS (RECORD CHANGE ONLY) PER ECO 21-27746	07/07/21	K.DUBROWN



INCLUDED IN KIT:

1. SLIDE RAIL ASSEMBLY, QTY: 2
2. REAR MOUNTING BRACKET, QTY: 2
3. FRONT LOCKING BRACKET, QTY: 2
4. 18-8 SS PAN HEAD PHILIPS MACHINE SCREW 8-32 THREAD, 5/16" LENGTH, BLACK OXIDE FINISH QTY: 6
5. 18-8 SS PAN HEAD PHILIPS MACHINE SCREW 8-32 THREAD, 7/16" LENGTH, PLAIN FINISH QTY: 6
6. 18-8 SS PAN HEAD PHILIPS MACHINE SCREW 10-32 THREAD, 1/2" LENGTH, BLACK OXIDE FINISH, QTY: 16
7. 18-8 SS #10 FLAT WASHER, 0.375" OD, BLACK OXIDE FINISH, QTY: 2
8. REFERENCE SYNQOR SPECIFICATIONS: 554-1000010 554-1000008 & 554-1000009
9. WEIGHT: 5.6 LBS (2.54 KG)

TOLERANCES:
 Unless otherwise specified:
 All dimensions in inches
 .X +/- .025
 .XX +/- .010
 .XXX +/- .005
 Angles +/- 1°

THIRD ANGLE PROJECTION

THIS DRAWING IS THE PROPERTY OF SYNQOR INC. It is not to be reproduced or copied, in whole or in part, or used for furnishing information to others, or for any purpose detrimental to the interests of SynQor. The information shown herein may be protected by patents owned or controlled by SynQor.

SynQor 155 Swanson Road
 Boxborough, MA 01719

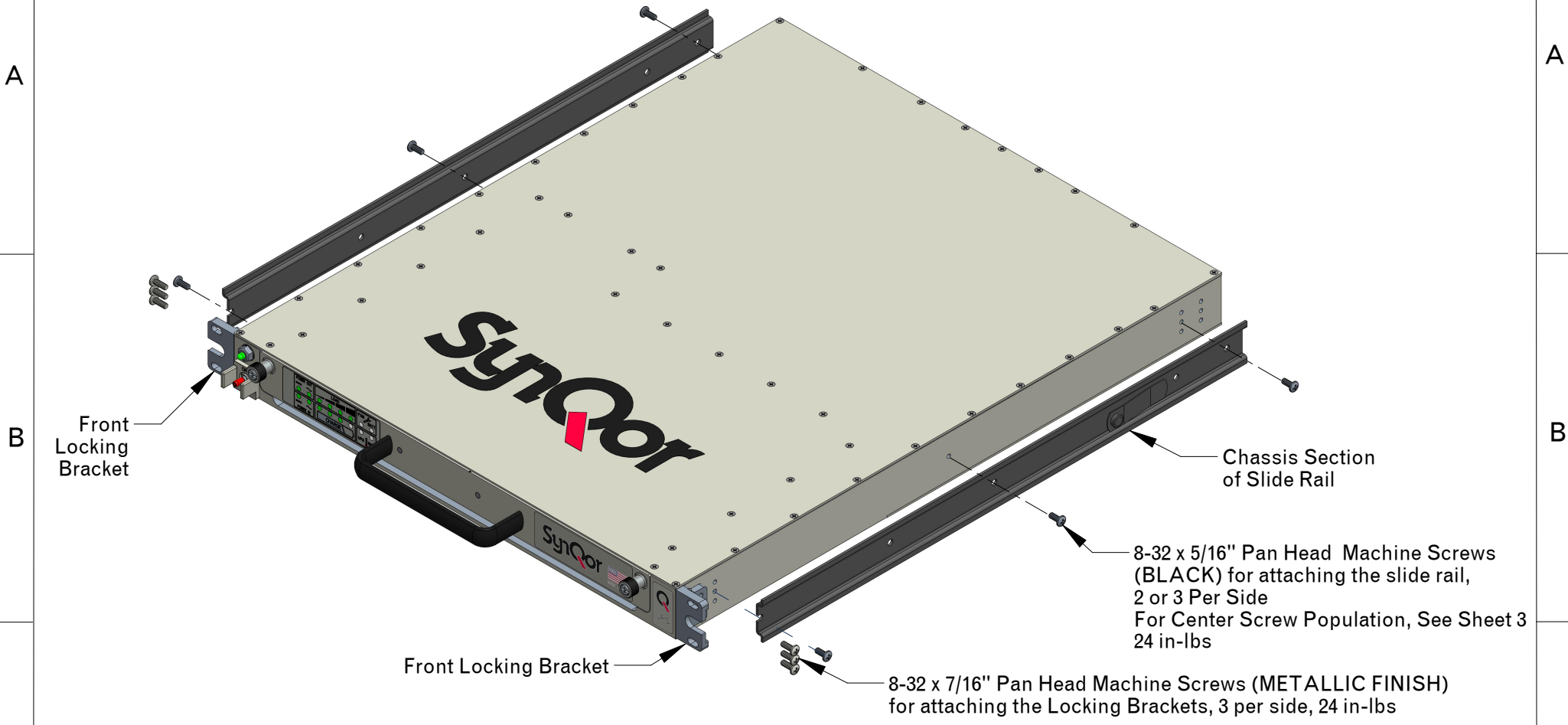
UPS Slide Rail Mount Kit (24" Depth)

SOURCE: PRO/E ASSEMBLY_STEP5

SIZE	DATE	DWG. NO.	REV
A	JUL-07-21	SYN-9002	F

SCALE: 0.325 DRAWN: KJD CHECK: SHEET 1 of 8

Rail - Chassis Mounting Diagram



TOLERANCES:
 Unless otherwise specified:
 All dimensions in inches
 .X +/- .025
 .XX +/- .010
 .XXX +/- .005
 Angles +/- 1°

THIRD ANGLE PROJECTION

THIS DRAWING IS THE PROPERTY OF SYNQOR INC.
 It is not to be reproduced or copied, in whole
 or in part, or used for furnishing information
 to others, or for any purpose detrimental to the
 interests of SynQor. The information shown herein
 may be protected by patents owned or controlled by SynQor.

		155 Swanson Road Boxborough, MA 01719	
		UPS Slide Rail Mount Kit (24" Depth)	
SOURCE: PRO/E ASSEMBLY_STEP1			
SIZE A	DATE JUL-07-21	DWG. NO. SYN-9002	REV F
SCALE: 0.250	DRAWN: KJD	CHECK:	SHEET 2 of 8

1

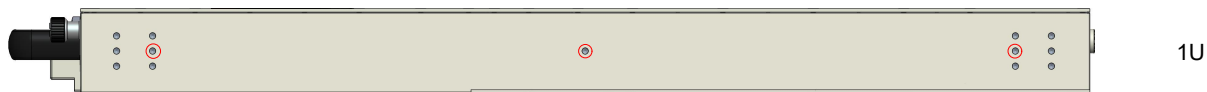
2

3

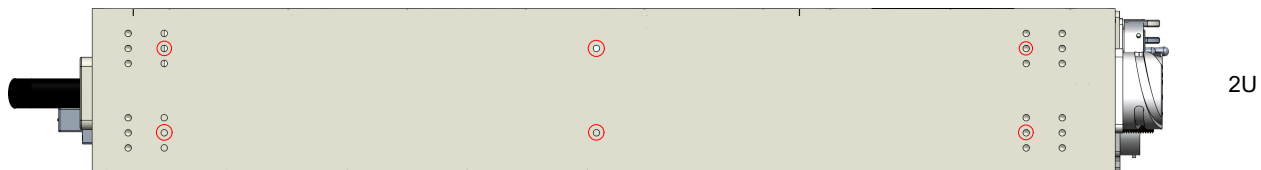
4

Rail - Chassis Mounting Positions

A



B



C



Note:

1. Attach Chassis Section of Slide-Rail to Chassis at Highlighted Locations.
2. Color Differentiates Product Hole Positions Only. Mounting Hardware Quantity and Location Are the Only Differences Between Products.

TOLERANCES:

Unless otherwise specified:
All dimensions in inches

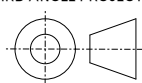
.X +/- .025

.XX +/- .010

.XXX +/- .005

Angles +/- 1°

THIRD ANGLE PROJECTION



THIS DRAWING IS THE PROPERTY OF SYNQOR INC.
It is not to be reproduced or copied, in whole or in part, or used for furnishing information to others, or for any purpose detrimental to the interests of SynQor. The information shown herein may be protected by patents owned or controlled by SynQor.



155 Swanson Road
Boxborough, MA 01719

UPS Slide Rail Mount Kit (24" Depth)

SOURCE: PRO/E ASSEMBLY_STEP1

SIZE	DATE	DWG. NO.	REV
A	JUL-07-21	SYN-9002	F

SCALE: 0.250 DRAWN: KJD CHECK: SHEET 3 of 8

1

2

3

4

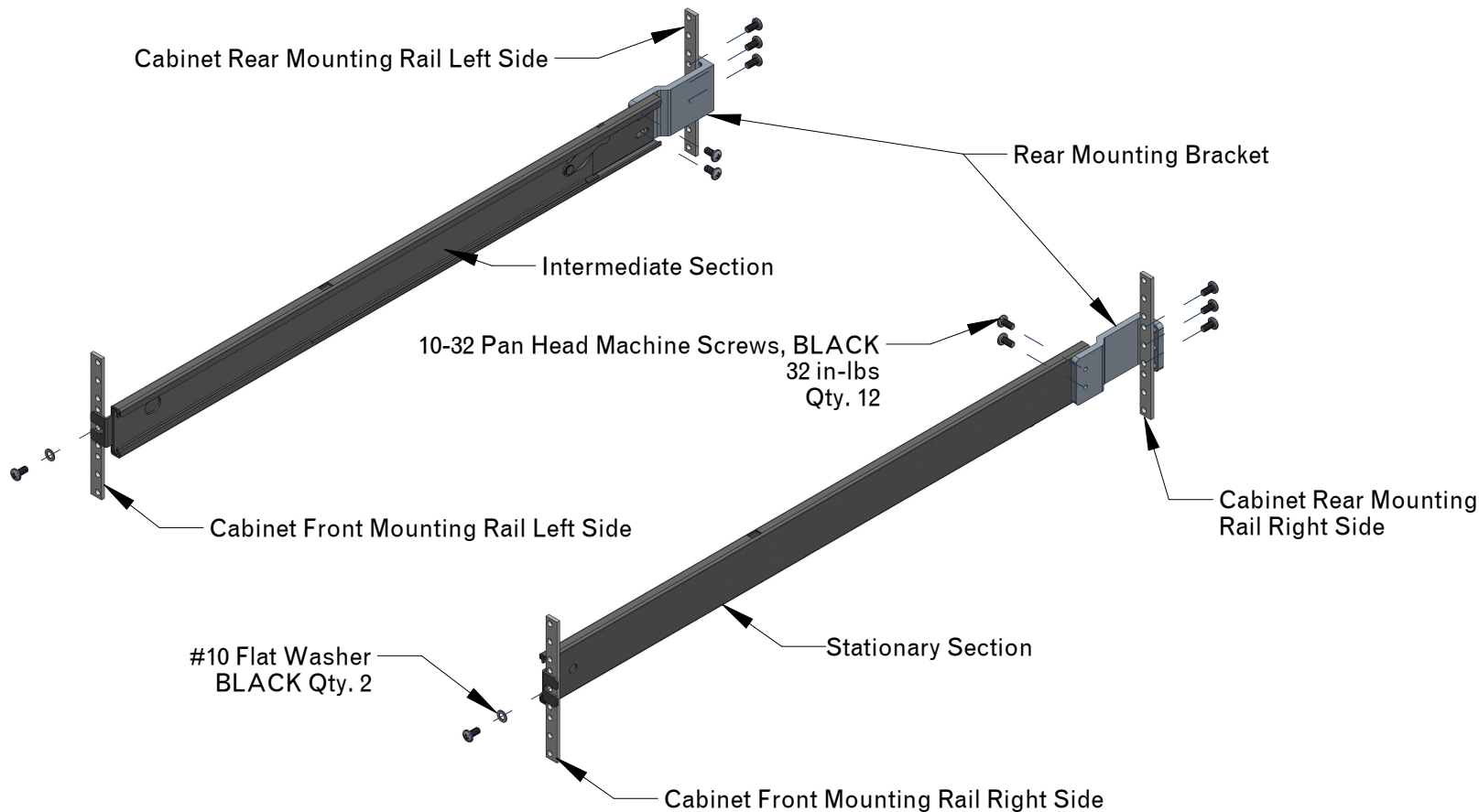
A

B

C

Rail - Rack Mounting Diagram

NOTE:
 Intermediate Section **MUST** be inserted into the Stationary Section **BEFORE** the Rear Mounting Bracket is installed.
 Intermediate Section is installed from the same end as the End Bracket.

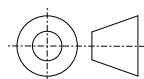


TOLERANCES:

Unless otherwise specified:
 All dimensions in inches

- .X +/- .025
- .XX +/- .010
- .XXX +/- .005
- Angles +/- 1°

THIRD ANGLE PROJECTION



THIS DRAWING IS THE PROPERTY OF SYNQOR INC.
 It is not to be reproduced or copied, in whole or in part, or used for furnishing information to others, or for any purpose detrimental to the interests of SynQor. The information shown herein may be protected by patents owned or controlled by SynQor.

SynQor

155 Swanson Road
 Boxborough, MA 01719

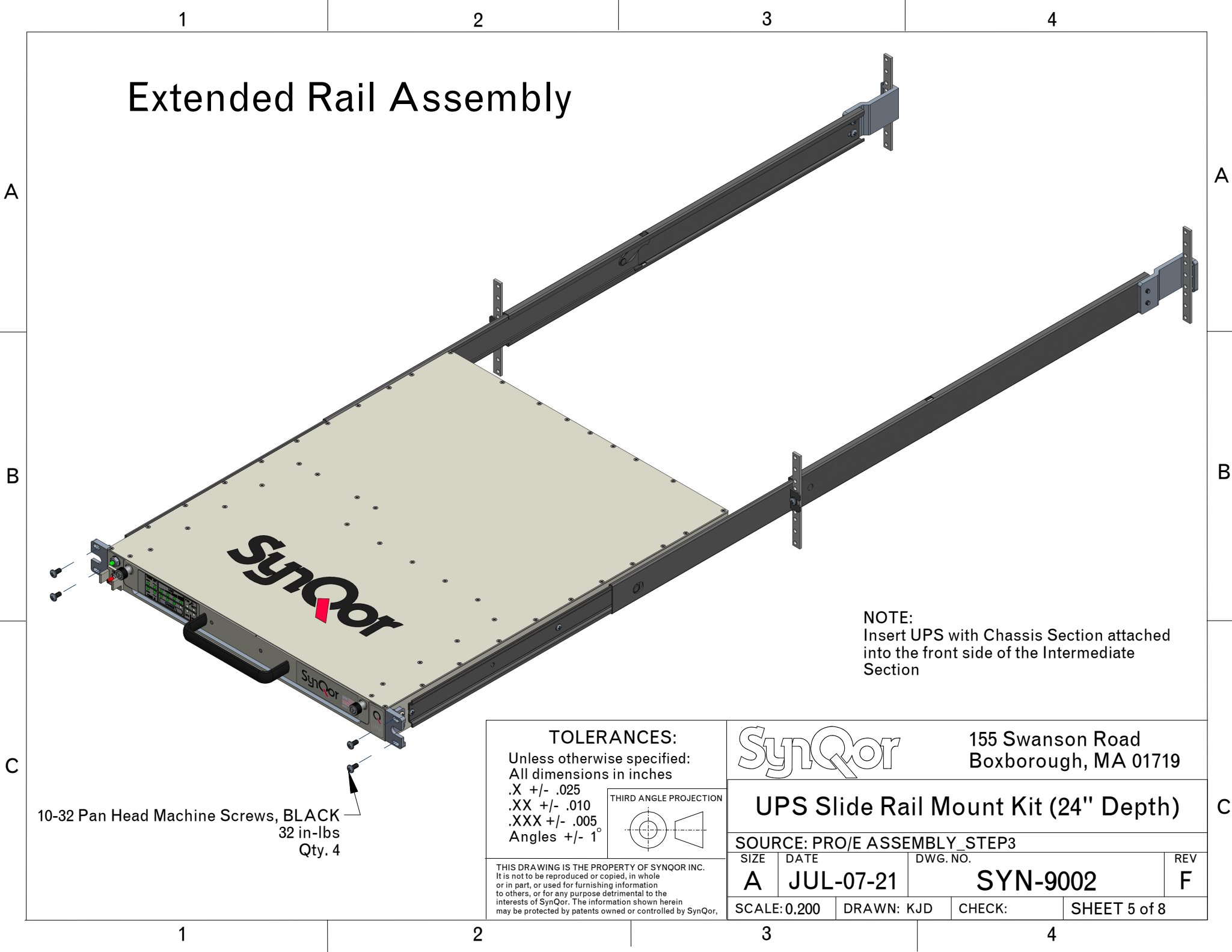
UPS Slide Rail Mount Kit (24" Depth)

SOURCE: PRO/E ASSEMBLY_STEP2

SIZE	DATE	DWG. NO.	REV
A	JUL-07-21	SYN-9002	F

SCALE: 0.200 DRAWN: KJD CHECK: SHEET 4 of 8

Extended Rail Assembly



NOTE:
 Insert UPS with Chassis Section attached into the front side of the Intermediate Section

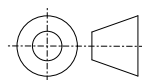
10-32 Pan Head Machine Screws, BLACK
 32 in-lbs
 Qty. 4

TOLERANCES:

Unless otherwise specified:
 All dimensions in inches

- .X +/- .025
- .XX +/- .010
- .XXX +/- .005
- Angles +/- 1°

THIRD ANGLE PROJECTION



THIS DRAWING IS THE PROPERTY OF SYNQOR INC.
 It is not to be reproduced or copied, in whole or in part, or used for furnishing information to others, or for any purpose detrimental to the interests of SynQor. The information shown herein may be protected by patents owned or controlled by SynQor.



155 Swanson Road
 Boxborough, MA 01719

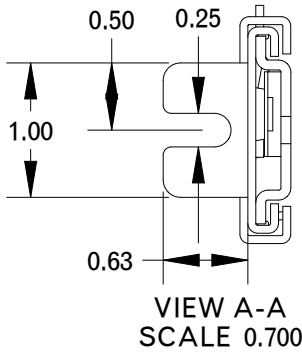
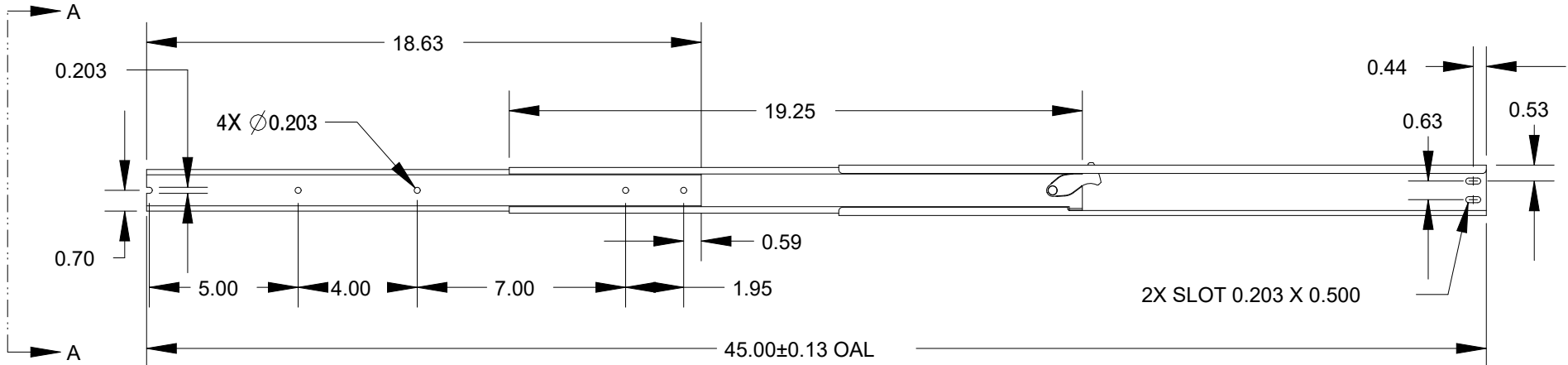
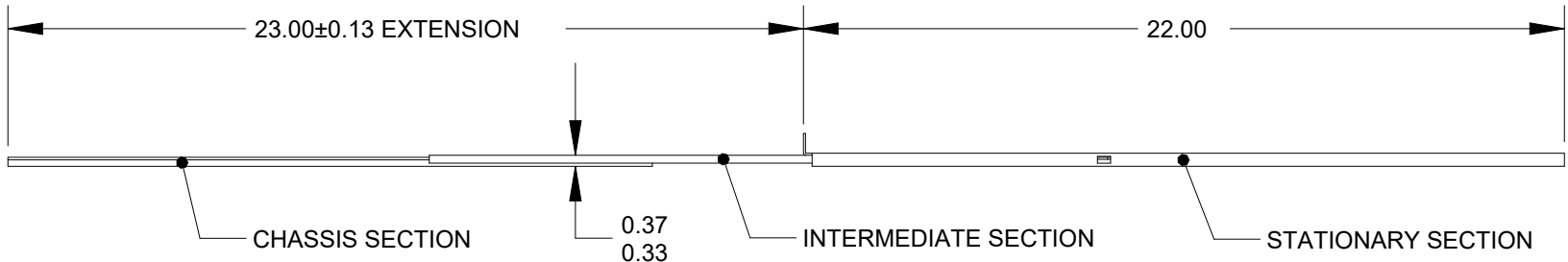
UPS Slide Rail Mount Kit (24" Depth)

SOURCE: PRO/E ASSEMBLY_STEP3

SIZE	DATE	DWG. NO.	REV
A	JUL-07-21	SYN-9002	F

SCALE: 0.200 DRAWN: KJD CHECK: SHEET 5 of 8

Slide Rail Details



NOTES:
 1. ALL SLIDING MEMBERS ARE MADE FROM COLD ROLLED STEEL.
 2. TOLERANCES FOR DIMENSIONS SPECIFIED WITHIN THIS SHEET:
 X.X: 0.062
 X.XX: 0.031
 X.XXX: 0.010
 3. WEIGHT CAPACITY OF THE RAIL IS 85 lbs.

TOLERANCES:
 Unless otherwise specified:
 All dimensions in inches
 .X +/- .025
 .XX +/- .010
 .XXX +/- .005
 Angles +/- 1°

THIRD ANGLE PROJECTION

THIS DRAWING IS THE PROPERTY OF SYNQOR INC.
 It is not to be reproduced or copied, in whole or in part, or used for furnishing information to others, or for any purpose detrimental to the interests of SynQor. The information shown herein may be protected by patents owned or controlled by SynQor.

SynQor 155 Swanson Road
 Boxborough, MA 01719

UPS Slide Rail Mount Kit (24" Depth)

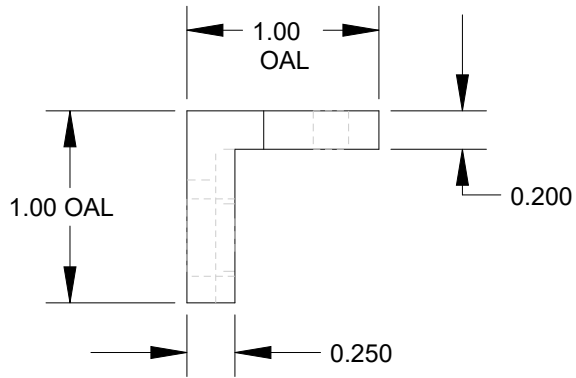
SOURCE: PRO/E 554-1000010

SIZE	DATE	DWG. NO.	REV
A	JUL-07-21	SYN-9002	F
SCALE: 0.188	DRAWN: KJD	CHECK:	SHEET 6 of 8

1 2 3 4

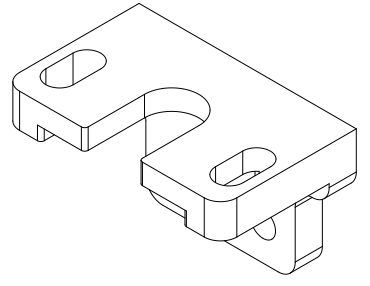
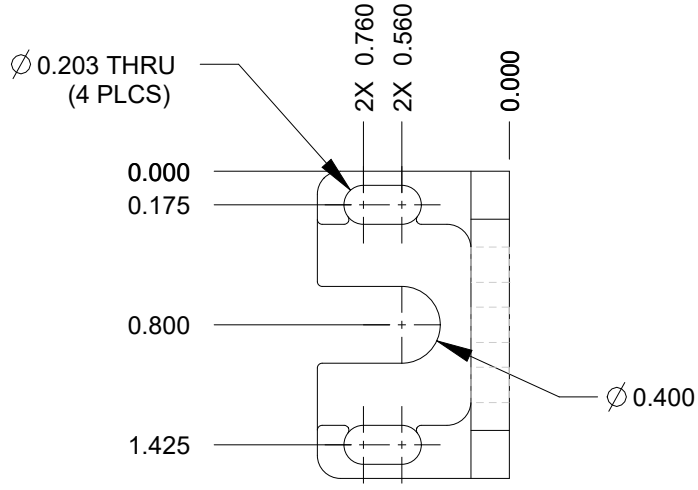
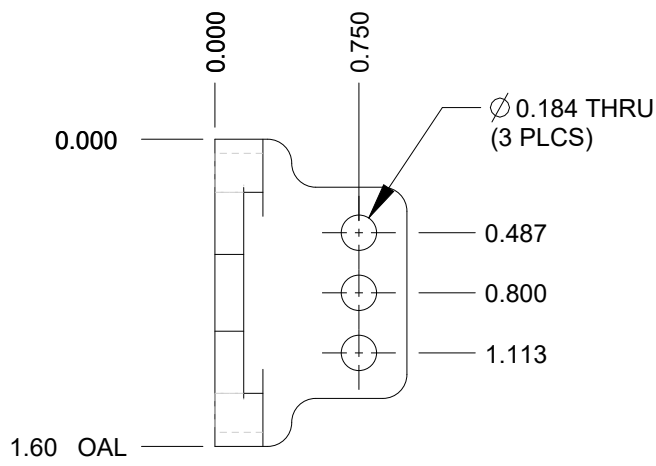
A

A



B

B



C

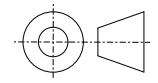
C

NOTES:
 1. MATERIAL: 6061-T6 ALUMINUM
 2. FINISH: CLEAR ANODIZED

TOLERANCES:

Unless otherwise specified:
 All dimensions in inches
 .X +/- .025
 .XX +/- .010
 .XXX +/- .005
 Angles +/- 1°

THIRD ANGLE PROJECTION



THIS DRAWING IS THE PROPERTY OF SYNQOR INC.
 It is not to be reproduced or copied, in whole
 or in part, or used for furnishing information
 to others, or for any purpose detrimental to the
 interests of SynQor. The information shown herein
 may be protected by patents owned or controlled by SynQor.



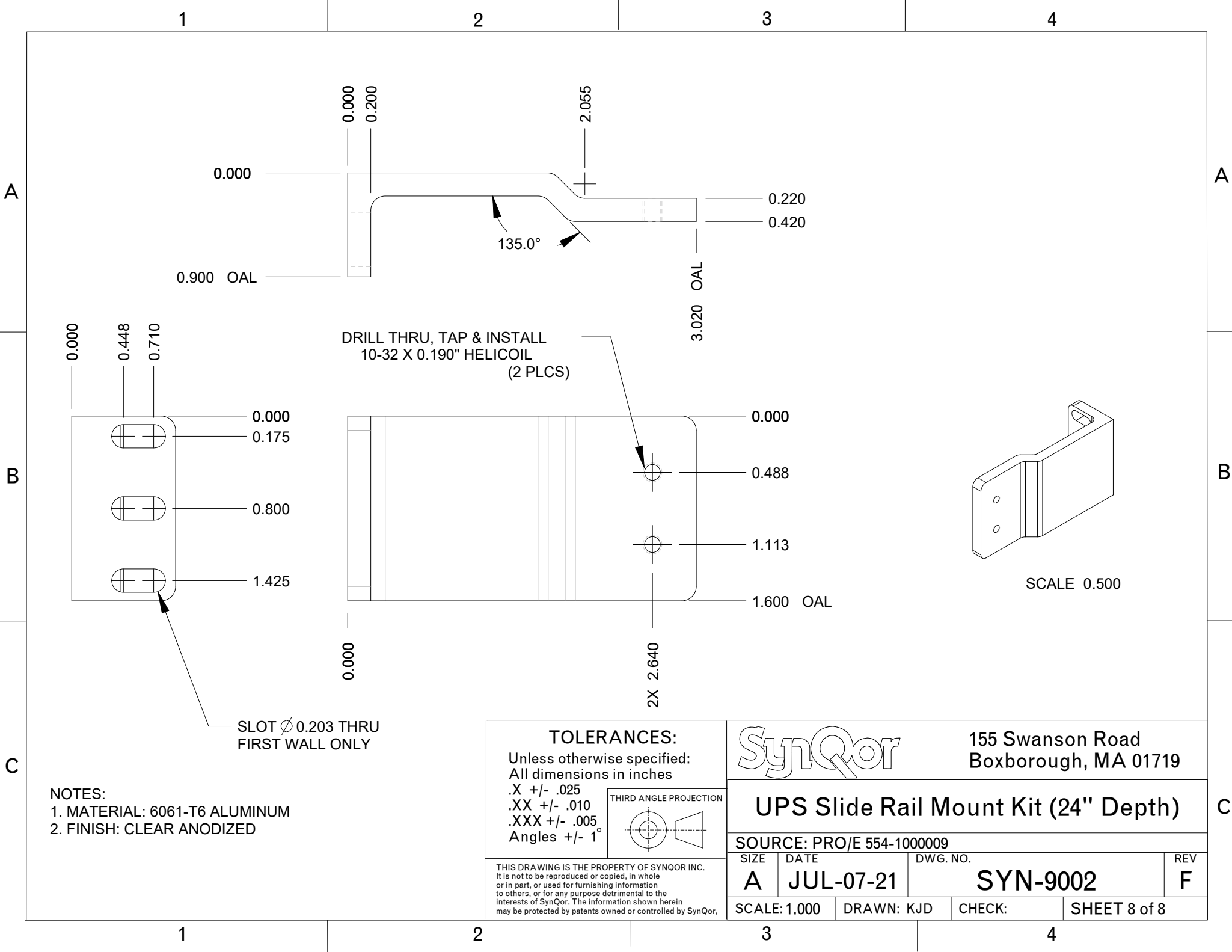
155 Swanson Road
 Boxborough, MA 01719

UPS Slide Rail Mount Kit (24" Depth)

SOURCE: PRO/E 554-1000008

SIZE	DATE	DWG. NO.	REV
A	JUL-07-21	SYN-9002	F
SCALE: 1.000	DRAWN: KJD	CHECK:	SHEET 7 of 8

1 2 3 4

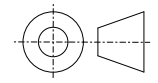


NOTES:
 1. MATERIAL: 6061-T6 ALUMINUM
 2. FINISH: CLEAR ANODIZED

TOLERANCES:

Unless otherwise specified:
 All dimensions in inches
 .X +/- .025
 .XX +/- .010
 .XXX +/- .005
 Angles +/- 1°

THIRD ANGLE PROJECTION



THIS DRAWING IS THE PROPERTY OF SYNQOR INC.
 It is not to be reproduced or copied, in whole or in part, or used for furnishing information to others, or for any purpose detrimental to the interests of SynQor. The information shown herein may be protected by patents owned or controlled by SynQor.



155 Swanson Road
 Boxborough, MA 01719

UPS Slide Rail Mount Kit (24" Depth)

SOURCE: PRO/E 554-1000009

SIZE	DATE	DWG. NO.	REV
A	JUL-07-21	SYN-9002	F
SCALE: 1.000		DRAWN: KJD	CHECK:
			SHEET 8 of 8